

VESSEL

Think Solutions!

New

e-ASSIST Screwdriver
No. 220USBC-1EB



e-ASSIST™
ELECTRIC & MANUAL

The powerful new model improves workability!



Electric Output

Existing models
Max. 2.0 N·m

▼
▼ **1.5 times**
▼ **more**
▼ **powerful**

220USBC-1EB

3.0 N·m

Operation stops
once the switch is off.



Rechargeable BALL GRIP™ II Screwdriver



USB 6.35mm LED 3.7v 800mAh Li-ion Can attach anti-drop lanyard

MADE IN JAPAN

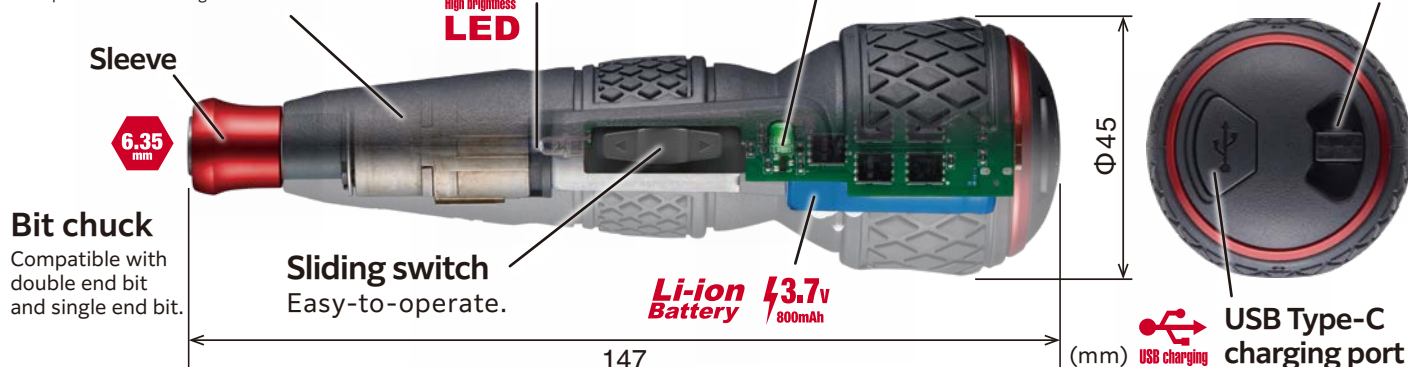
FC CE USB TYPE-C

Reinforced gear built-in
20% improved strength
*Compared to our existing model

High brightness LED light

Charging lamp

Anti-drop lanyard attachment hole



How to Use

① Charging

Charge using the USB cable.



② Bit replacement

Slide the sleeve and insert the bit.



③ Power driven

Drive screws quickly with electric power. Power drivend CCW rotation possible)



④ Manual tightening/loosening

Can tighten/loosen the screws manually.



Specifications

Battery	Li-ion 3.7V 800mAh
Input (MAX.)	5V 0.8A
No-load speed	280min-1
Maximum torque (Electric power)	3.0N·m
Maximum endurance torque (Manual)	12N·m
Charging time	Approx. 100 min.
Continuous operating time	Approx. 40 min. (during no-load)
Charging method	USB Type-C recharge
Weight (body only)	170g

Specifications Comparison

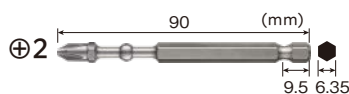
Model	Speed			Max. output torque (Electric)			Max. endurance torque (Manual)	Charging port
	LO	MID	HI	LO	MID	HI		
220USBC-1EB				3.0			12 N·m	USB Type-C
220USB-P1EB	280 rpm	340 rpm	400 rpm	1.2 N·m	1.6 N·m	2.0 N·m	12 N·m	USB Type-C
220USB-S1EB	1200 rpm			0.4 N·m			10 N·m	USB Type-B
220USB-1EB	280 rpm			2.0 N·m			10 N·m	USB Type-B

e-ASSIST Screwdriver *New*

220USBC-1EB



- No-load speed 280rpm ●Maximum output torque (Electric) 3.0N·m ●Maximum endurance torque (Manual) 12N·m
- USB TYPE-C charging port for easy charging. ●170g light-weight model ●High brightness LED light (keeps lighting 5 seconds even after stopping operation.) ●Compatible with H6.35 bits ●Can attach anti-drop lanyard.



IMPACT BALL Torsion Bit (1pc.)

- 62HRC tough bit
- Shock absorption at the ball torsion.



USB Charging Cable (1pc.) (Type-A to Type-C/1m)

Code No.	Model No.	Set contents	Package size (mm)	JAN (4907587)
148537	220USBC-1EB	Body, Bit: ②(90mm) USB Charging cable (Type-A to Type-C, 1m)	250×100×64	040121

SPQ:5

Cautions

- Be sure to read the instruction manual. ●Be careful of short-circuit and electric shock when working with electricity. ●Overloading may cause damage to the product or screws, or injury. ●Keep this product away from children at home. ●Applicable Screw Diameter is up to M6.

VESSEL Co., Inc.

17-25, Fukae-Kita 2-chome, Higashinari-ku, Osaka 537-0001 JAPAN
Tel:+ 81 (0)6 6976 7778 Fax:+ 81 (0)6 6972 9441
E-mail:export@vessel.co.jp URL : www.vessel.co.jp/english/

Distributed by

26040700.00

●Subject to change of the specifications, dimensions, and others, without prior notice.